



PRODUCT CATALOGUE



Building a better future.

Contents

SuperForm ICF

Standard Block.....	2
Top Block.....	3
90° Block.....	4
45° Block.....	5
Brickledge Block.....	6
T - Block	7
One-Sided Block.....	8
One-Sided Form Ply.....	9
MAX+ Standard Block.....	10
MAX+ 90° Block	11
Super R+ Insert	12
Height Adjuster	13
End Buck	13
Gorilla Buck	14
SuperForm ICF Packaging & Stats	15 - 17

SuperForm Insulation

EPS+	19
MAX+	20
Precast Insulation	21
Sip Panel Insulation	22
SuperPex Panel	23
EIFS+	24
EPS+ Frost Impact	25
EPS+ SuperVoid	26
EPS+ Custom Cuts.....	27
Roofing	28
Billets	29
SuperForm Insulation Packaging & Stats.....	30 - 32

Accessories

ICF Bracing	34 - 36
Waterproofing	36 - 40
ICF Hangers	41 - 42
Spray Foam	43
Fiberglass Rebar	44
Ties, Screws, Tape.....	45 - 47

Check out our website for an install manual, training videos, product specs, brochures and much more!

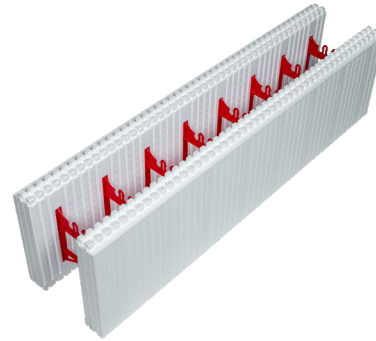
SuperForm ICF

Scan the QR code to visit the ICF Product Page



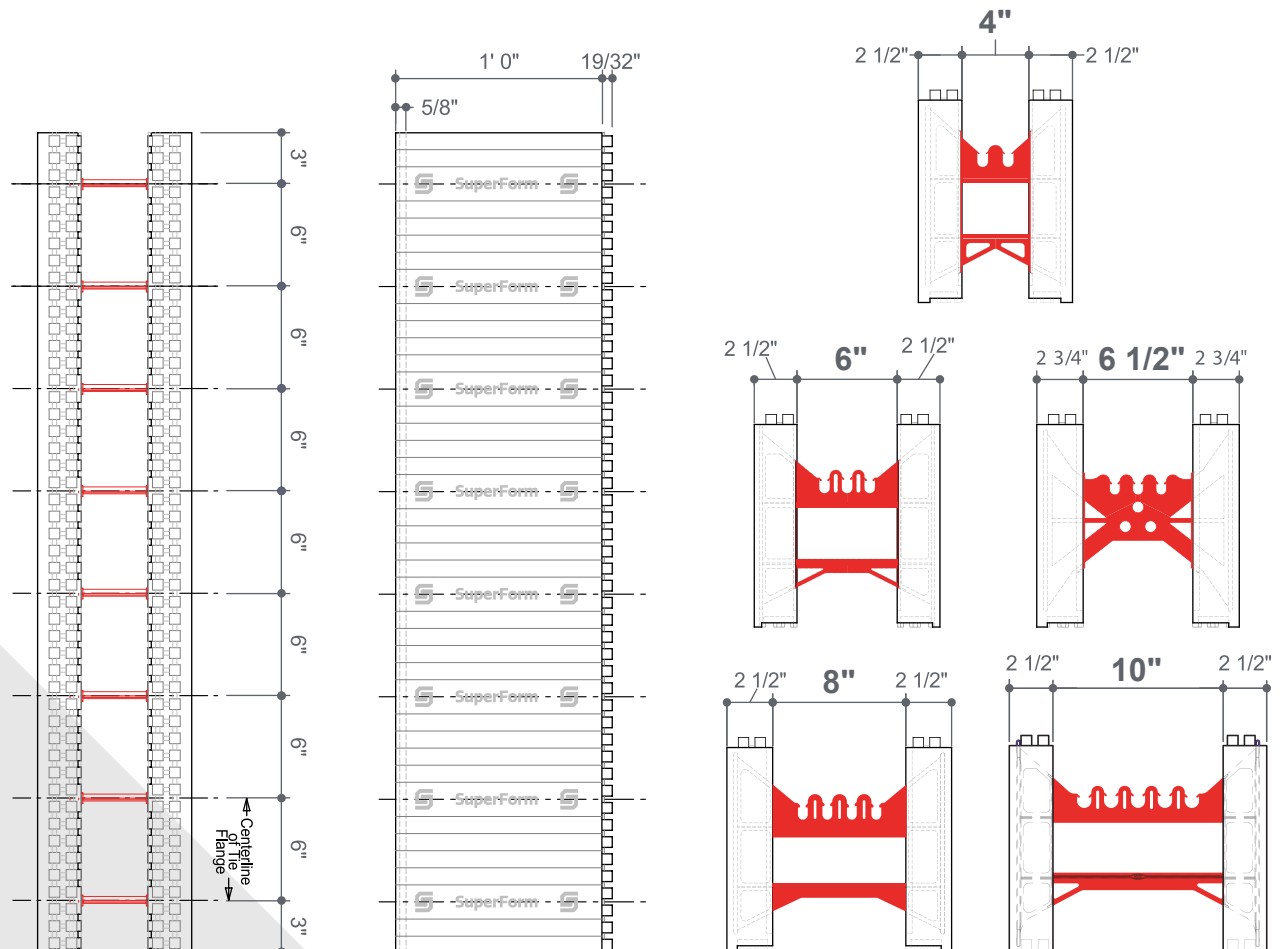
Standard Block

Allows you to build straight walls with added durability and strength.



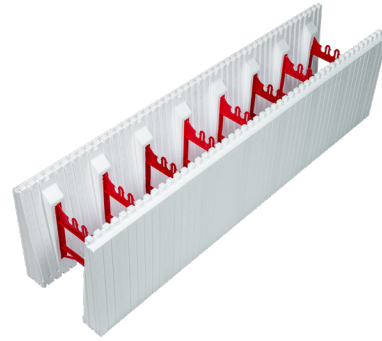
PRODUCT DIMENSIONS

ITEM CODE	CORE	WIDTH	LENGTH	RETURN	SQ. AREA	CONCRETE VOLUME PER BLOCK	EFFECTIVE R-VALUE FT 2 *HR*F/BTU 4
400	4"	9"	4'	N/A	4'	.037756 cubic meters .049383 cubic yards	R23
600 - Tied 690 - Cardboard	6"	11"	4'	N/A	4'	.056634 cubic meters .074074 cubic yards	R23
700 790 - Cardboard	6.5"	12"	4'	N/A	4'	.061353 cubic meters .080247 cubic yards	R25
800 - Tied 890 - Cardboard	8"	13"	4'	N/A	4'	.075512 cubic meters .098765 cubic yards	R23
1000 - Tied	10"	15"	4'	N/A	4'	.094389 cubic meters .123457 cubic yards	R23



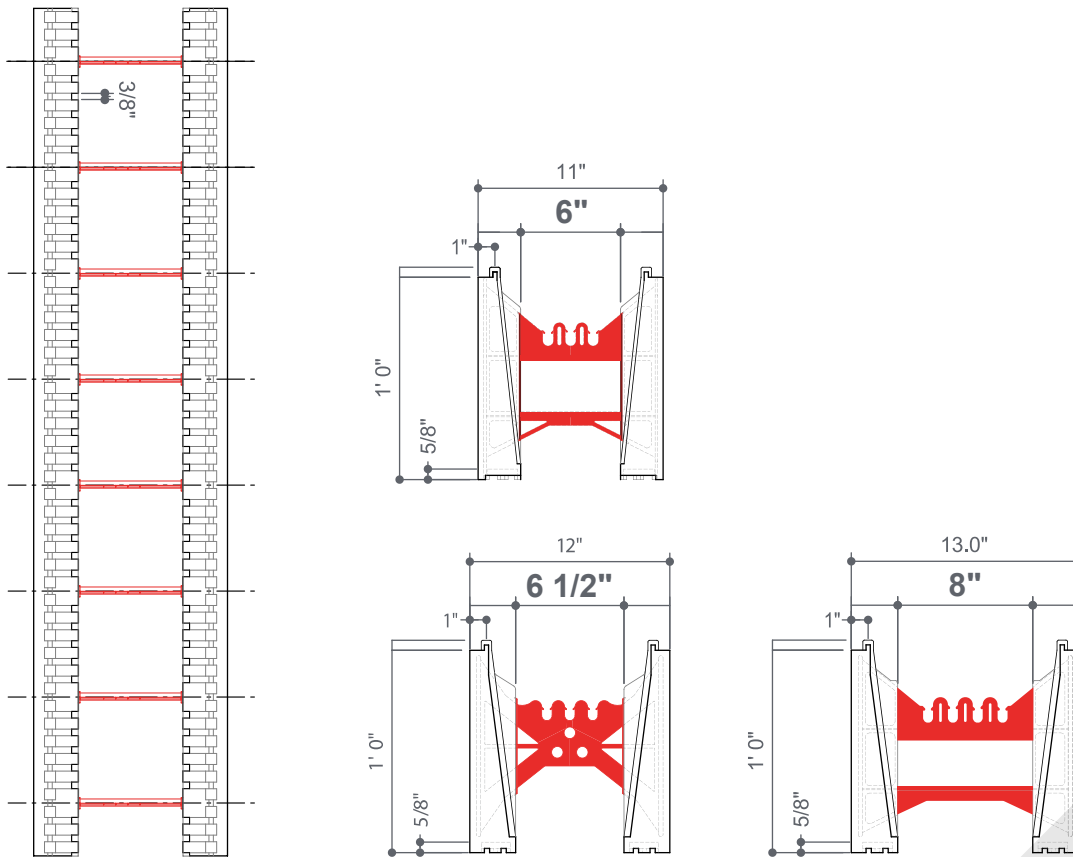
Top Block

Provides maximum bearing surface at the top of your wall.



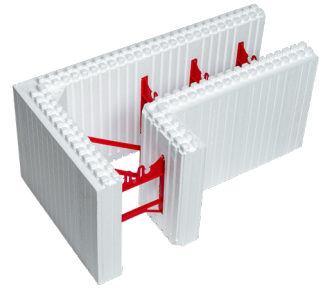
PRODUCT DIMENSIONS

ITEM CODE	CORE	WIDTH	LENGTH	RETURN	SQ. AREA	CONCRETE VOLUME PER BLOCK	EFFECTIVE R-VALUE FT 2 *HR*F/BTU 4
610	6"	11"	4'	N/A	4'	.064377 cubic meters .084202 cubic yards	R23
710	6.5"	12"	4'	N/A	4'	.069096 cubic meters .090374 cubic yards	R25
810	8"	13"	4'	N/A	4'	.083255 cubic meters .108893 cubic yards	R23
1010	10"	15"	4'	N/A	4'	.102132 cubic meters .133584 cubic yards	R23



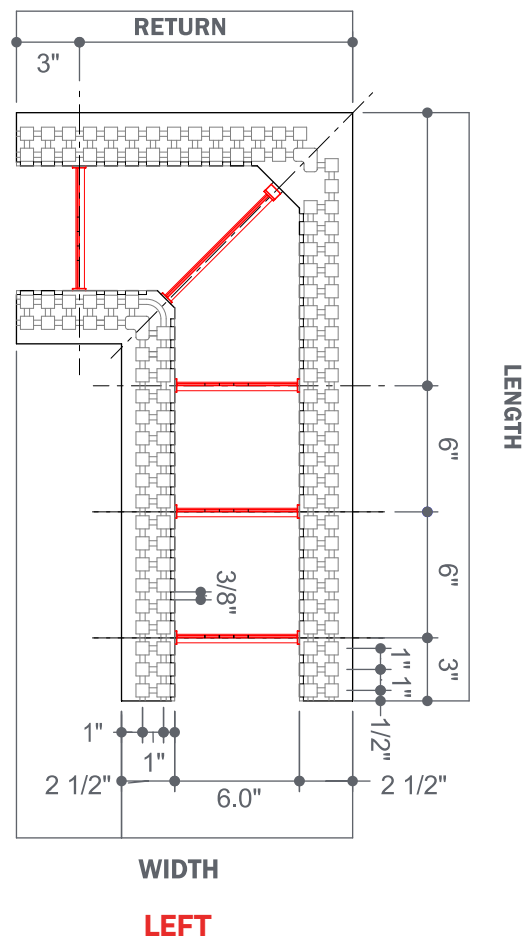
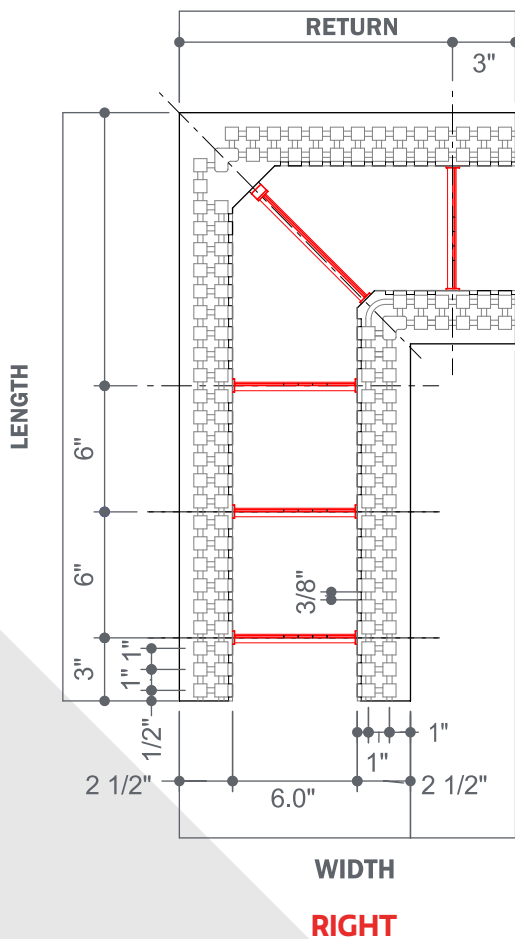
90° Block

Creates strong 90° corners with minimal time required and greater ease, accompanied by an extremely strong corner tie with multiple fastening areas for finishing.



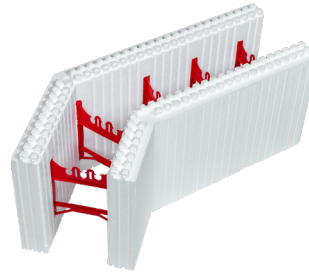
PRODUCT DIMENSIONS

ITEM CODE	CORE	WIDTH	LENGTH	RETURN	SQ. AREA	CONCRETE VOLUME PER BLOCK	EFFECTIVE R-VALUE FT 2 *HR*F/BTU 4
420	4"	9"	2'1"	1'1"	3'2"	.022811 cubic meters .029835 cubic yards	R23
620 - Tied 691 - Cardboard	6"	11"	2'4"	1'4"	3'8"	.038936 cubic meters .050926 cubic yards	R23
720 791 - Cardboard	6.5"	12"	2'4"	1'4"	3'8"	.040902 cubic meters .053498 cubic yards	R25
820 - Tied 891 - Cardboard	8"	13"	2'6"	1'6"	4'	.055061 cubic meters .072016 cubic yards	R23
1020 - Cardboard	10"	15"	3'2"	2'4"	5'6"	.096356 cubic meters .126029 cubic yards	R23



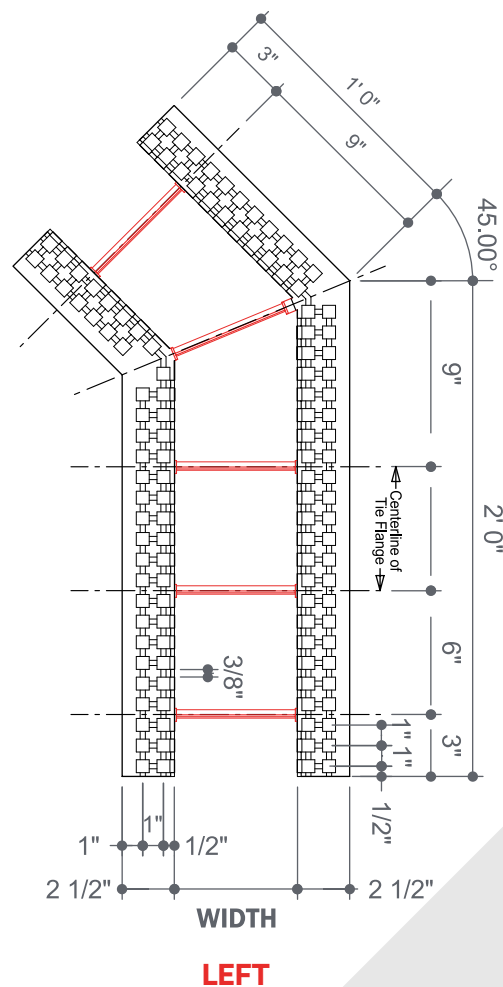
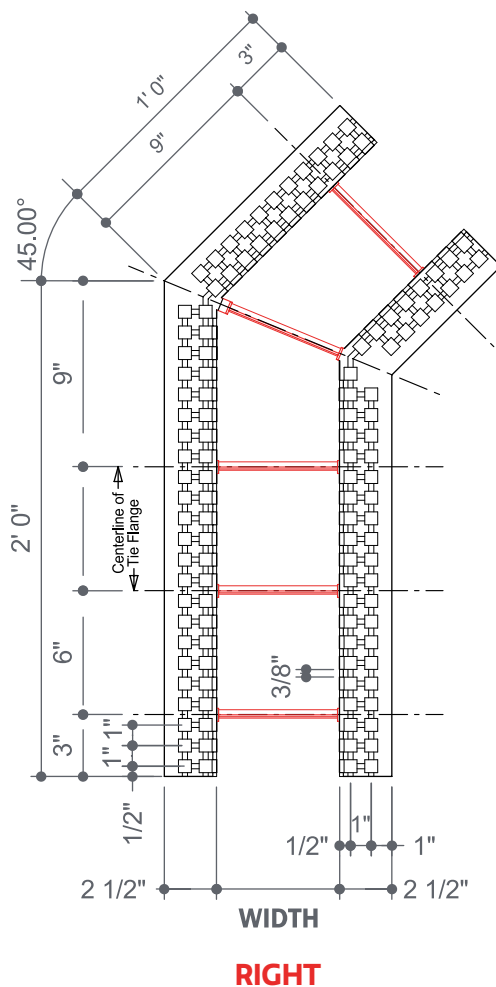
45° Block

Creates strong 45° corners with minimal time required and greater ease, with multiple fastening areas for finish.



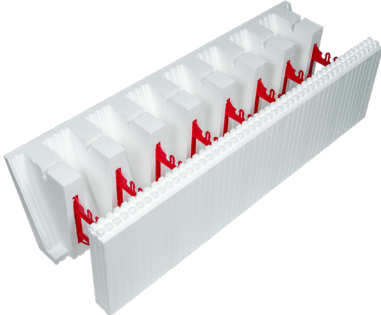
PRODUCT DIMENSIONS

ITEM CODE	CORE	WIDTH	LENGTH	RETURN	SQ. AREA	CONCRETE VOLUME PER BLOCK	EFFECTIVE R-VALUE FT ² *HR*F/ BTU 4
630	6"	11"	2'	1'	3'	.037166 cubic meters .048611 cubic yards	R23
730	6.5"	12"	2'	1'	3'	.039624 cubic meters .051826 cubic yards	R25
830	8"	13"	2'	1'	3'	.047981 cubic meters .062757 cubic yards	R23



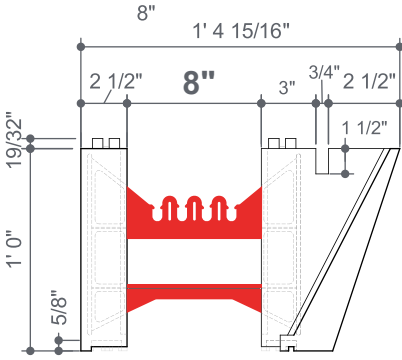
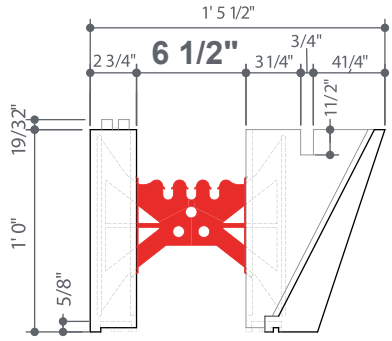
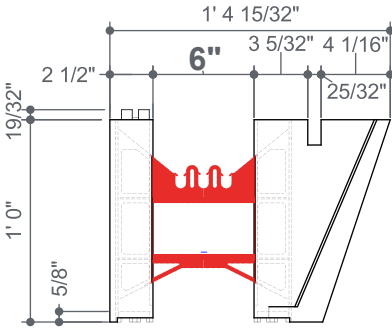
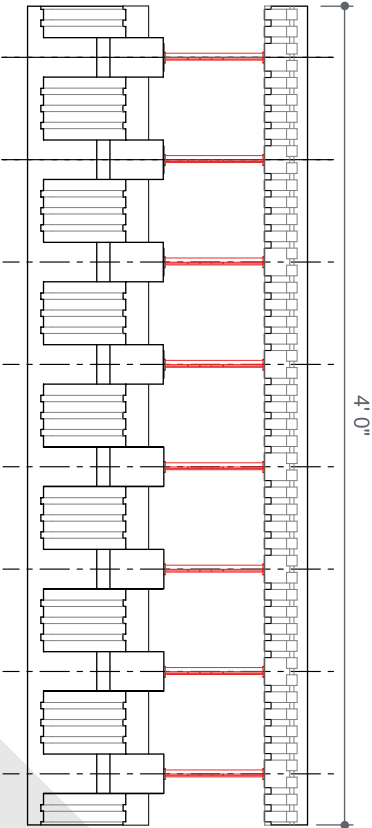
Brickledge Block

Supports the installation of brick veneer on above-grade walls.



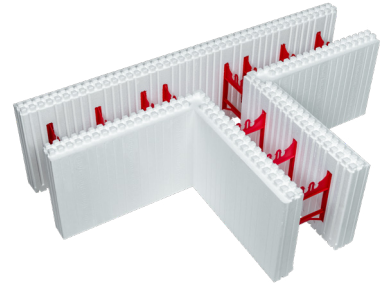
PRODUCT DIMENSIONS

ITEM CODE	CORE	WIDTH	LENGTH	RETURN	SQ. AREA	CONCRETE VOLUME PER BLOCK	EFFECTIVE R-VALUE FT 2 *HR*F/BTU 4
640	6"	11"	4'	N/A	4'	.081136 cubic meters .106122 cubic yards	R23
740	6.5"	12"	4'	N/A	4'	.085856 cubic meters .112295 cubic yards	R25
840	8"	13"	4'	N/A	4'	.099688 cubic meters .130387 cubic yards	R23



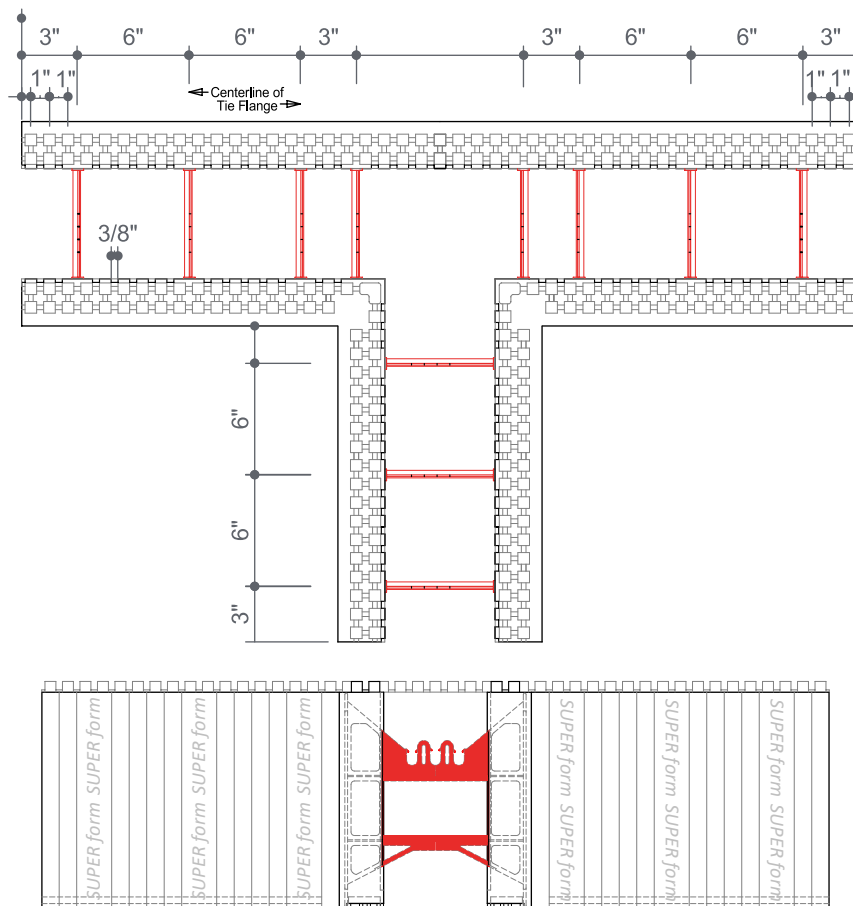
T-Block

Creates a T corner, eliminating the need for additional support or adjustments.



PRODUCT DIMENSIONS

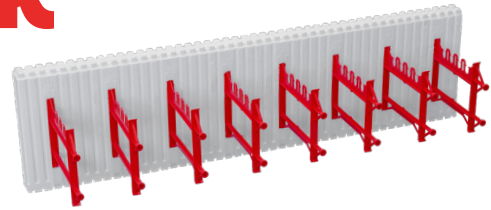
ITEM CODE	CORE	WIDTH	LENGTH	RETURN	SQ. AREA	CONCRETE VOLUME PER BLOCK	EFFECTIVE R-VALUE FT 2 *HR*F/BTU 4
650	6"	11"	3'9"	1'5"	5'2"	.076102 cubic meters .099537 cubic yards	R23
750	6.5"	12"	4'	1'4"	5'4"	.085319 cubic meters .111593 cubic yards	R25
850	8"	13"	3'11"	1'5"	5'4"	.104615 cubic meters .136831 cubic yards	R23



Note: Cut 12" off T-Block in order to stagger joints. See Installation Manual for more info.

One-sided Block

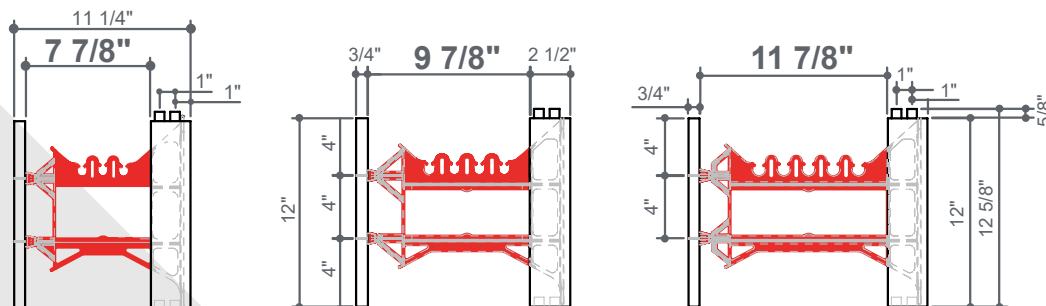
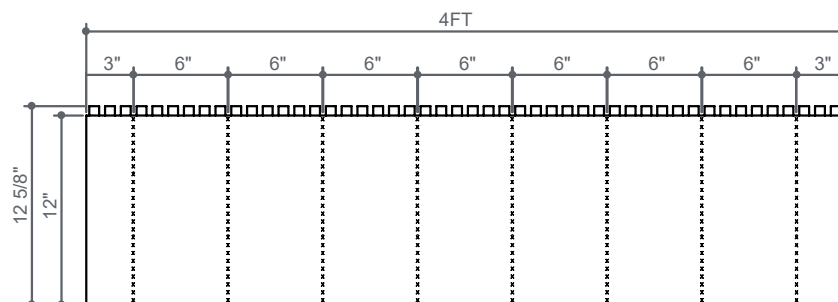
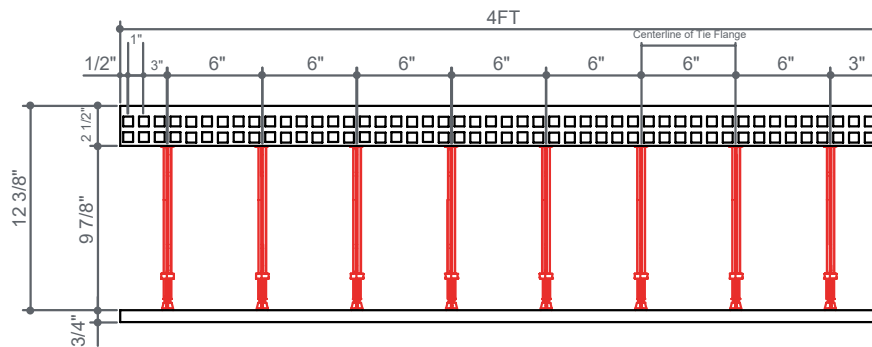
Ideal for various applications: commercial jobs requiring above-grade exterior concrete without parging, interior garage, and shop walls eliminating the need for covered insulation, retaining walls, elevator shafts, butcher/smokehouses, and more.



Utilize 2" ICF screws to attached formply to the form.

PRODUCT DIMENSIONS

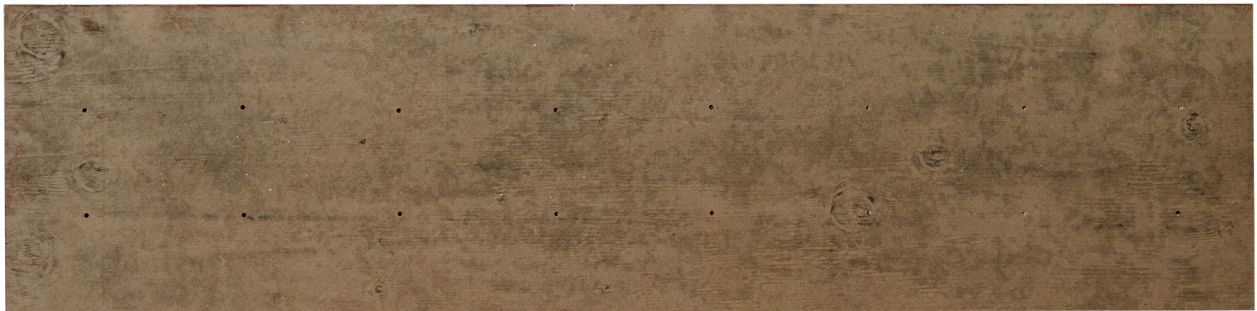
ITEM CODE	CORE	WIDTH	LENGTH	RETURN	SQ. AREA	CONCRETE VOLUME PER BLOCK	EFFECTIVE R-VALUE FT ² *HR*F/ BTU 4
661	6"	10 3/8"	4'	N/A	4'	.074332 cubic meters .097222 cubic yards	R12
861	8"	12 3/8"	4'	N/A	4'	.09321 cubic meters .121914 cubic yards	R12
1061	10"	14 3/8"	4'	N/A	4'	.112088 cubic meters .146605 cubic yards	R12



1' x 4' Predrilled One-Sided Form Ply

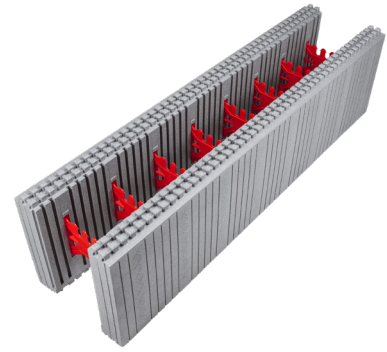
Explore our predrilled plywood form, precision cut via CNC for easy installation.
Available competitively priced to save time and costs for our customers.

- Sold 4 per bundle
- ACC-47



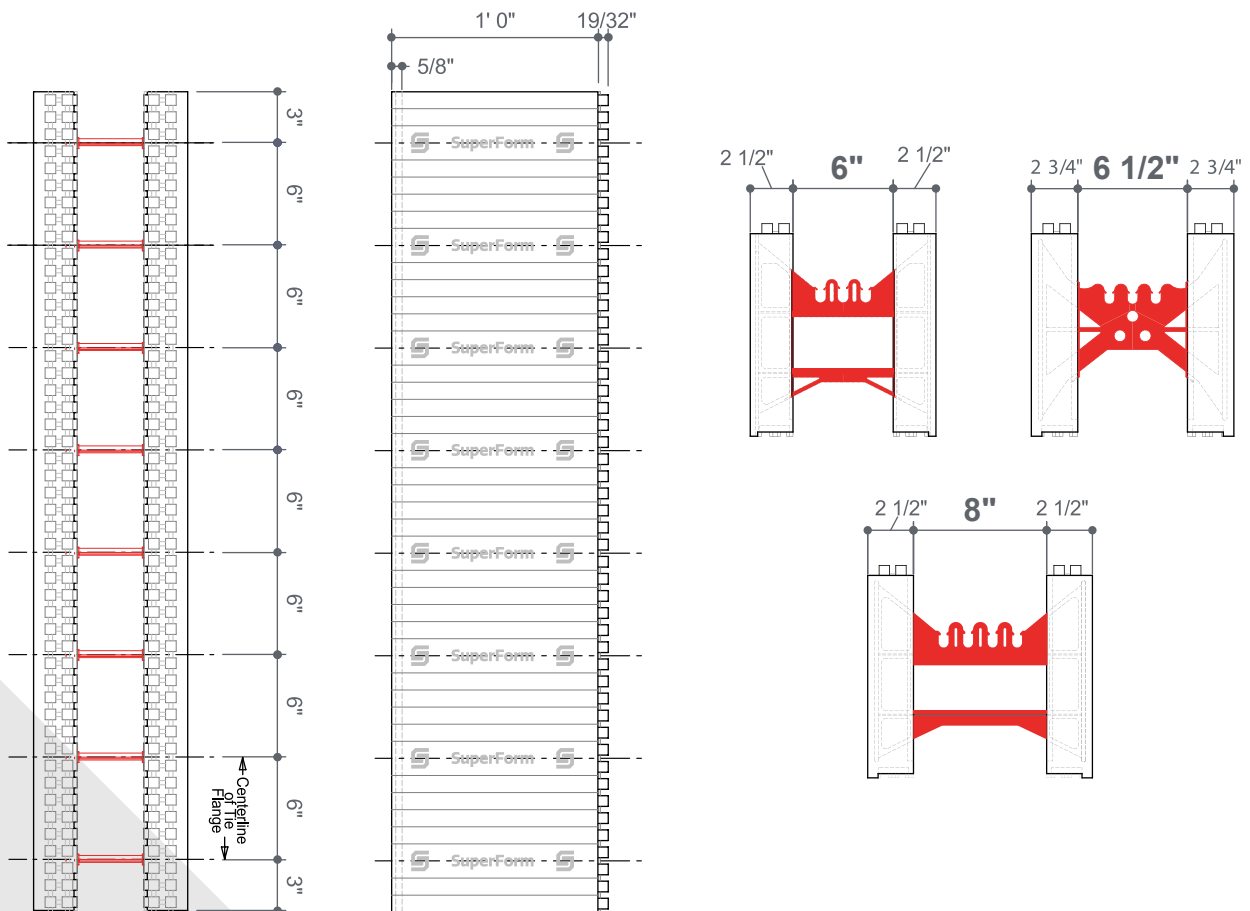
SuperForm™ **MAX+ Standard Block**

With improved R-Value the MAX+ Standard Block allows you to build straight walls with added durability and strength.



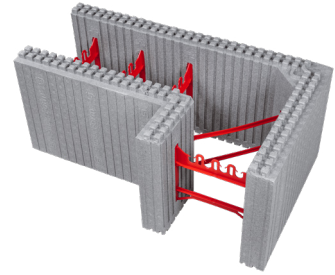
PRODUCT DIMENSIONS

ITEM CODE	CORE	WIDTH	LENGTH	RETURN	SQ. AREA	CONCRETE VOLUME PER BLOCK	EFFECTIVE R-VALUE FT 2 *HR*F/BTU 4
670	6"	11"	4'	N/A	4'	.056634 cubic meters .074074 cubic yards	R27
770	6.5"	12"	4'	N/A	4'	.061353 cubic meters .080247 cubic yards	R29
870	8"	13"	4'	N/A	4'	.075512 cubic meters .098765 cubic yards	R27



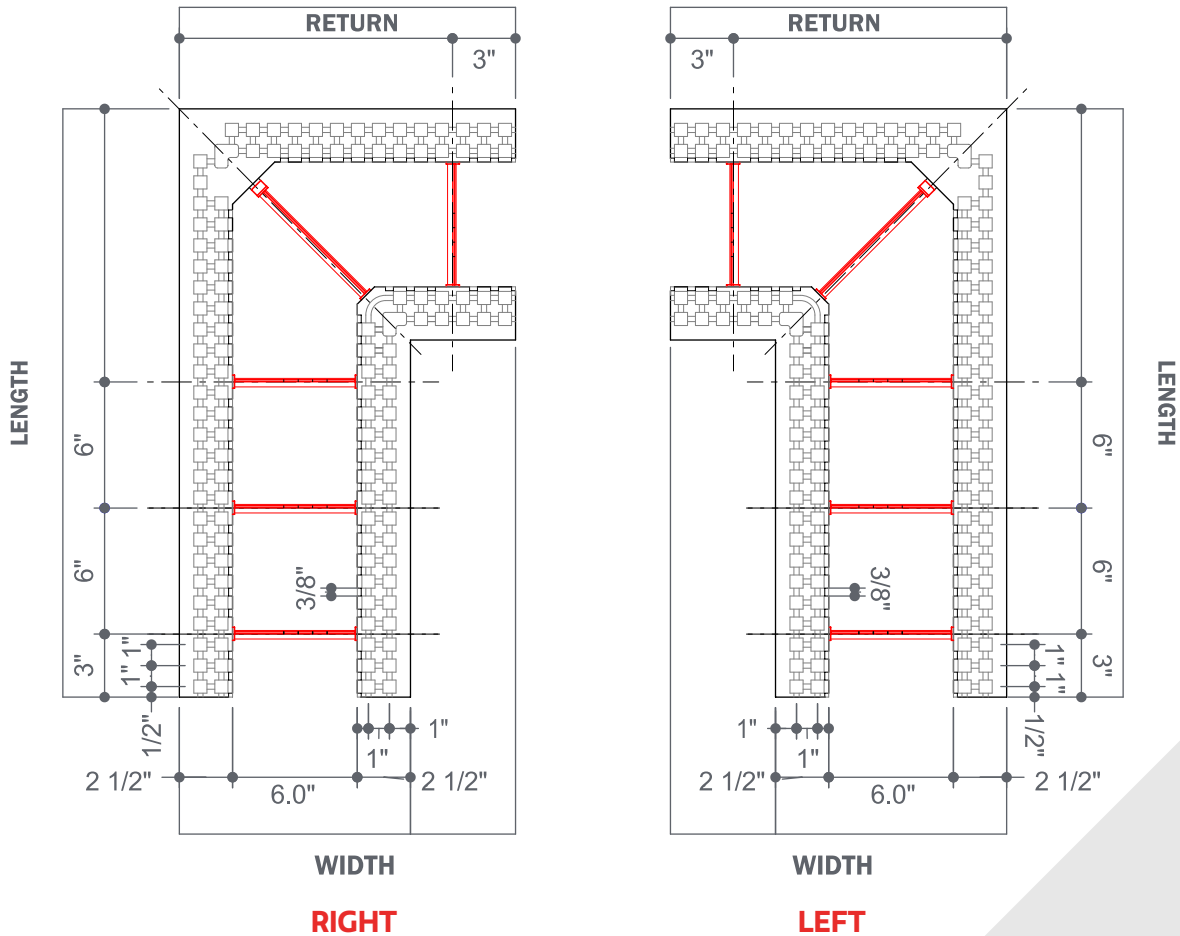
SuperForm™ **MAX+ 90° Block**

With improved R-Value the MAX+ 90° Block creates strong 90° corners with minimal time required and greater ease, accompanied by an extremely strong corner tie with multiple fastening areas for finishing.



PRODUCT DIMENSIONS

ITEM CODE	CORE	WIDTH	LENGTH	RETURN	SQ. AREA	CONCRETE VOLUME PER BLOCK	EFFECTIVE R-VALUE FT 2 *HR*F/BTU 4
680	6"	11"	2'4"	1'4"	3'8"	.038936 cubic meters .050926 cubic yards	R27
780	6.5"	12"	2'4"	1'4"	3'8"	.040902 cubic meters .053498 cubic yards	R29
880	8"	13"	2'6"	1'6"	4'	.055061 cubic meters .072016 cubic yards	R27



Super R+ Insert

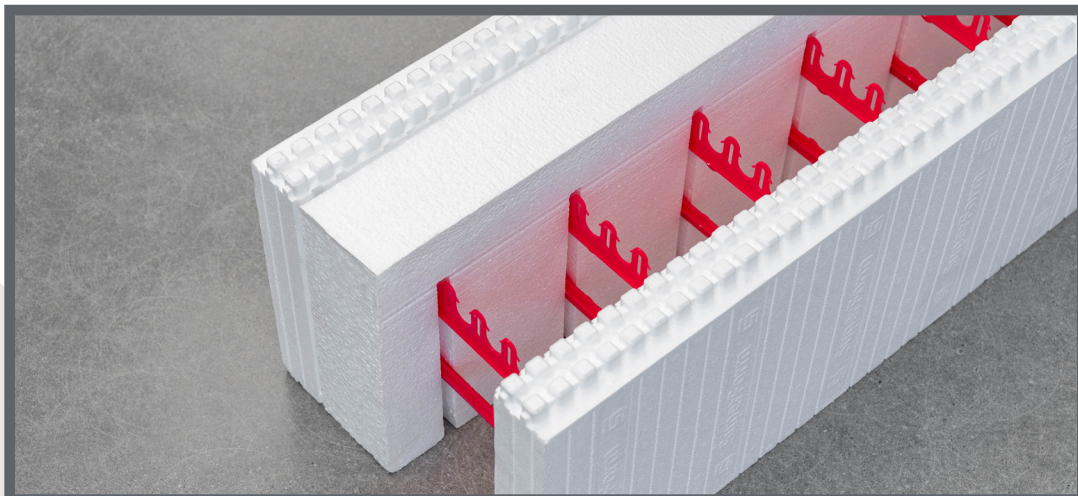
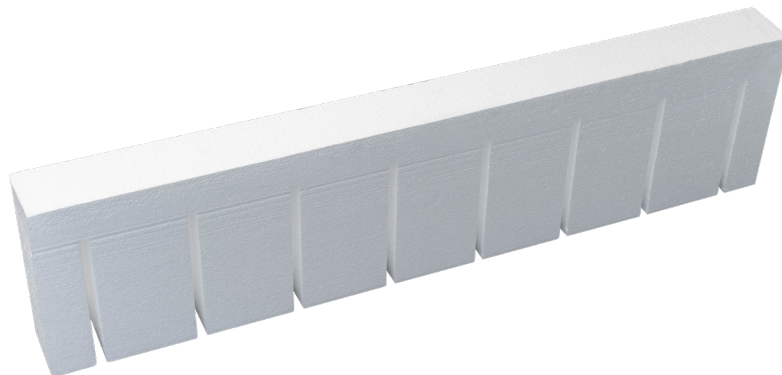
Designed to provide a higher R-Value wall to elevate your construction projects with superior insulation performance (great for net-zero homes!). Our Super R+ Inserts seamlessly integrate with any SuperForm ICF unit, delivering enhanced R-Values without compromising the distinctive features of our advanced form technology.

The Super R+ Insert effortlessly slides into the SuperForm ICF units, thanks to its precision-engineered dovetail system. This innovative design ensures a secure fit throughout the construction process, providing exceptional thermal efficiency and structural integrity.

With the Super R+ Insert, achieving superior insulation has never been easier. Experience the perfect blend of performance and compatibility with SuperForm ICF and make your next project a model of energy efficiency and excellence!

PRODUCT DIMENSIONS

ITEM CODE	WIDTH	LENGTH	HEIGHT	EFFECTIVE R-VALUE FT 2 *HR*F/BTU 4
INSERT-2	2"	4'	1'	R8
INSERT-4	4"	4'	1'	R16



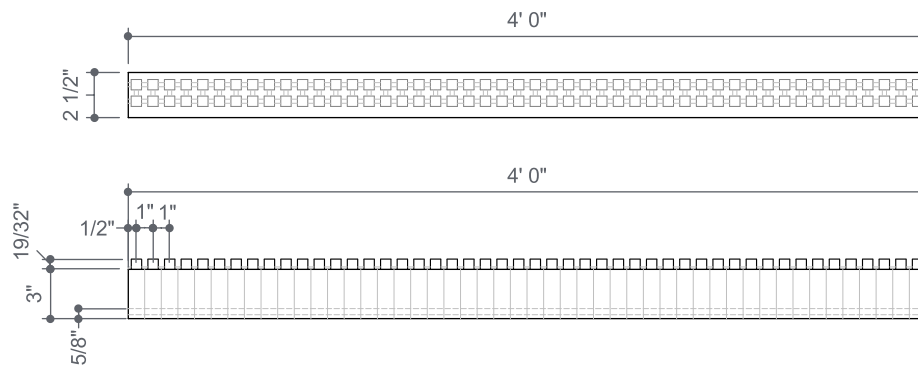
3" Height Adjuster

Allows contractors to adjust the height of builds in small increments with minimal waste.



PRODUCT DIMENSIONS

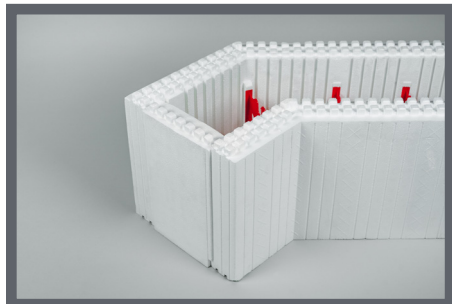
ITEM CODE	WIDTH	LENGTH	HEIGHT
300	2.5"	4'	3"



- 160 pieces/pallet - Sold per pallet

End Buck

Can quickly slide into place to serve as an insulated buck or to terminate a wall.



ITEM CODE	CORE	WIDTH
660	6"	2.5"
760	6.5"	2.5"
860	8"	2.5"

- Sold individually

Gorilla Buck

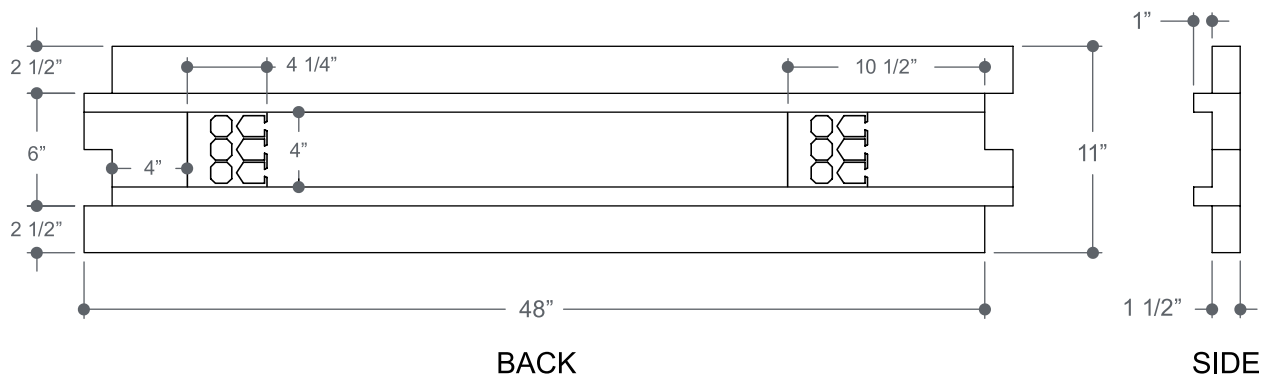
Gorilla Buck is an insulated window and door buck system that has been made to fit SuperForm ICF. Made of high density, expanded polystyrene (EPS) and 100% recycled plastics, these insulated bucks block air and water infiltration with friction fit internal rails. These internal rails secure the inside cavity of our ICF wall forms and includes a wide variety of panel materials that are secured to the faces and edges of the foam body with polyurethane adhesives and mechanical keyways that join the foam and panels together as a unit. Molded Foam Gorilla Bucks has EPS molded with polypropylene webs that provide finish attachment elements, concrete anchors and reinforcement brackets.



PRODUCT DIMENSIONS

ITEM CODE	CORE	WIDTH	LENGTH	HEIGHT	EA/PALLET	EA/SKID
ACC-80	6"	11"	4'	1.5"	176	44
ACC-81	8"	13"	4'	1.5"	132	33

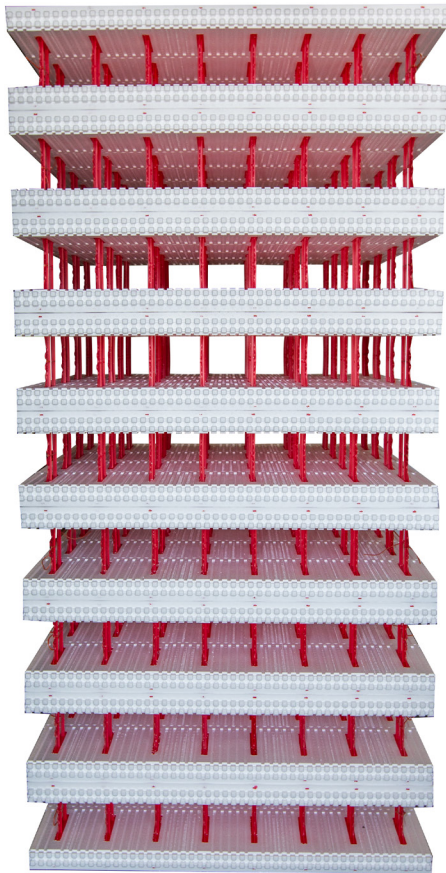
- Sold per pallet or per skid



Note: See Gorilla Buck Installation Guide for more info.



SuperForm ICF Packaging & Stats



Tied ICF Packaging

Average total ICF block per 53' trailer

4" Block: 1250

6" Block: 950

6.5" Block: 950

8" Block: 850

10" Block: 728



Cardboard ICF Packaging

Additional costs may apply

Average total ICF block per 53' trailer

4" Block: 1200

6" Block: 925

6.5" Block: 925

8" Block: 825

These are average numbers; they will vary based on block configuration, sheetfoam, and accessories.

Product Type**4" ICF Blocks****Tied Packaging**

Standard Block Cube	Corner Block Cube
4 blocks/bundle - 22.64 lb	8 blocks/bundle - 24.40 lb
48 blocks/stack - 271.68 lb	48 blocks/stack - 146.40 lb
48" x 49" x 108"	22" x 25" x 49"

Cardboard Packaging

Standard Block Cube	Corner Block Cube
20 blocks/bundle - 113.2 lb	8 blocks/bundle - 24.40 lb
44 blocks/stack - 249.04 lb	48 blocks/stack - 146.40 lb
48" x 48" x 107"	22" x 25" x 49"

To maximize shipping, we use tied bundles where necessary.

Product Type**6" ICF Blocks****Tied Packaging**

Standard Block Cube	Corner Block Cube
4 blocks/bundle - 20.72 lb	8 blocks/bundle - 28.08 lb
36 blocks/stack - 186.48 lb	48 blocks/stack - 168.48 lb
48" x 49" x 99"	27" x 30" x 49"
Top Block Cube	T Block Cube
4 blocks/bundle - 18.04 lb	16 blocks/stack - 108.96 lb
36 blocks/stack - 162.36 lb	45" x 48" x 78"
11" x 48" x 49"	
Brickledge Cube	45 Degree Cube
4 blocks/bundle - 21.36 lb	8 blocks/bundle - 24.96 lb
17" x 48" x 49"	27" x 33" x 49"
One-sided Block Cube	
24 blocks/bundle - 97 lb	
24 blocks/stack - 97 lb	
48" x 49" x 33"	

Cardboard Packaging

Standard Block Cube	Corner Block Cube
18 blocks/bundle - 82.88 lb	8 blocks/bundle - 28.08 lb
36 blocks/stack - 186.48 lb	27" x 30" x 49"
44" x 48" x 98"	

To maximize shipping, we use tied bundles where necessary.

Top Block, T Block, Brickledge Block, and 45 Degree Block are only available in tied packaging.

Product Type**6.5" ICF Blocks****Tied Packaging**

Standard Block Cube	Corner Block Cube
4 blocks/bundle - 23.56 lb	8 blocks/bundle - 32.16 lb
36 blocks/stack - 212.04 lb	48 blocks/stack - 192.96 lb
48" x 49" x 108"	30" x 30" x 49"
Top Block Cube	T Block Cube
4 blocks/bundle - 21.16 lb	16 blocks/stack - 129.44 lb
36 blocks/stack - 190.44 lb	48" x 48" x 80"
12" x 48" x 49"	
Brickledge Cube	45 Degree Cube
4 blocks/bundle - 25.84 lb	8 blocks/bundle - 28.16 lb
17" x 48" x 49"	29" x 33" x 49"

Cardboard Packaging

Standard Block Cube	Corner Block Cube
18 blocks/bundle - 94.24 lb	8 blocks/bundle - 32.16 lb
36 blocks/stack - 212.04 lb	30" x 30" x 49"
48" x 48" x 98"	

To maximize shipping, we use tied bundles where necessary.

Top Block, T Block, Brickledge Block, and 45 Degree Block are only available in tied packaging.

Product Type**8" ICF Blocks****Tied Packaging**

Standard Block Cube 4 blocks/bundle - 22.56 lb 32 blocks/stack - 203.04 lb 48" x 49" x 104"	Corner Block Cube 8 blocks/bundle - 45.12 lb 48 blocks/stack - 270.72 lb 30" x 31" x 49"
Top Block Cube 4 blocks/bundle - 20.44 lb 32 blocks/stack - 183.96 lb 13" x 48" x 49"	T Block Cube 16 blocks/stack - 122.56 lb 47" x 48" x 80"
Brickledge Cube 4 blocks/bundle - 22.92 lb 17" x 48" x 49"	45 Degree Cube 8 blocks/bundle - 27.12 lb 31" x 33" x 49"
One-sided Block Cube 24 blocks/bundle - 105 lb 24 blocks/stack - 105 lb 48" x 49" x 39"	

Cardboard Packaging

Standard Block Cube 18 blocks/bundle - 101.52 lb 36 blocks/stack - 203.04 lb 52" x 48" x 98"	Corner Block Cube 8 blocks/bundle - 30.24 lb 30" x 30" x 49"
--	---

To maximize shipping, we use tied bundles where necessary.

Top Block, T Block, Brickledge Block, and 45 Degree Block are only available in tied packaging.

Product Type**10" ICF Blocks****Tied Packaging**

Standard Block Cube 4 blocks/bundle - 22.60 lb 28 blocks/stack - 158.20 lb 48" x 49" x 105"	Corner Block Cube 8 blocks/bundle - 58.13 lb 16 blocks/stack - 116.26 lb 38" x 41" x 49"
One-sided Block Cube 24 blocks/bundle - 113 lb 24 blocks/stack - 113 lb 48" x 49" x 45"	Top Block Cube 4 blocks/bundle - 22.60 lb 28 blocks/stack - 158.20 lb 48" x 49" x 105"

Insulation

Scan the QR code to visit the Insulation Product Page





SuperForm EPS+ is a high-grade expanded polystyrene (EPS) rigid foam insulation. It provides a dependable insulation product that can be used for almost every type of building insulation application. Its stable R-value and high compressive strength coupled with its ability to resist and quickly release moisture makes EPS+ ideal for perimeter, below grade, and floor insulation.

KEY BENEFITS

Stable R-Value: Provides a stable R-value that does not deteriorate over time. (Refer to Insulation Brochure for R-Value information)

Compressive Strength: Available in 10, 16, 20, 25, 30, 40, and 60 psi.

Moisture Resistance: Closed cell polystyrene insulation that is proven to resist moisture gain.

Drying Potential: Designed to quickly release moisture and maintain its R-value over time.

Low Environmental Impact: Does not use or contain ozone-depleting blowing agents such as HFCs.

Cost Effective: Up to 40% more cost effective than XPS.

Common Applications: Wall, Ceiling, Perimeter, Below Grade, Floor Insulation, Structural Insulated Panels (SIP), Precast Floor & Wall Panels

Common Sizes: 4x8, 4x4, 2x8, 2x4 – Any thickness.

Standard Bundle Height: 26"

R-Value: 4.04 - 4.44/inch





A premium Neopor® graphite polystyrene (GPS) rigid foam insulation. MAX+ features all of the performance attributes of EPS+, complimented by the added benefits of a unique graphite cell structure. SuperForm MAX+ delivers one of the most efficient, cost effective, and sustainable insulation products available. Additionally, MAX+ meets CAN/ ULC S701 and ASTM C578 Standard Specification for Rigid, Cellular Polystyrene Thermal Insulation.

MAX+ uses high-purity, graphite particles to create a reflective cell structure. This distinct cell structure reflects radiant heat as it travels through the insulation. As a result, MAX+ delivers one of the most efficient perimeter, below grade, and floor insulation products available.

KEY BENEFITS

Stable R-Value: Provides a stable R-value that does not deteriorate over time. (Refer to Insulation Brochure for R-Value information)

Compressive Strength: Available in 10, 16, 20, 25, and 30 psi.

Moisture Resistance: Closed cell polystyrene insulation proven to resist moisture gain.

Drying Potential: Designed to quickly release moisture and maintain its R-value.

Low Environmental Impact: Does not use or contain ozone-depleting blowing agents such as HFCs.

Cost Effective: Same nominal R Value as XPS with up to 30% cost savings.

Common Applications: Wall, Ceiling, Perimeter, Below Grade, Floor Insulation, Structural Insulated Panels (SIP), Precast Floor & Wall Panels

Common Sizes: 4x8, 4x4, 2x8, 2x4 – Any thickness.

Standard Bundle Height: 26"

R-Value: 5/inch





SuperForm™

Precast Insulation

SuperForm MAX+ is a durable insulation that is ideal for precast concrete wall and floor panels. MAX+ is a lightweight and cost-effective insulation solution that provides optimal energy-efficiency. Additionally, it is designed to resist and quickly release moisture which helps maintain the R-value of precast concrete panels.

Unlike extruded polystyrene (XPS), MAX+ provides a stable R-value that does not deteriorate over time. This is because MAX+ does not use or contain ozone-depleting blowing agents that are known to gradually dissipate. As a result, MAX+ delivers an impressive R-value that on average costs 10-30% less than XPS.

KEY BENEFITS

Stable – R-Value: Provides a stable R-value that does not deteriorate over time.

Compressive Strength: Available in 10, 16, 20, and 25 psi.

Moisture Resistance: Closed cell polystyrene insulation proven to resist moisture gain.

Drying Potential: Designed to quickly release moisture and maintain its R-value.

Low Environmental Impact: Does not use or contain ozone-depleting blowing agents such as HFCs.



SuperForm™ Sip Panel Insulation

SuperForm MAX+ or EPS+ is a rigid foam insulation that is your answer for structural insulated panels (SIPs). Structural insulated panels often consist of an expanded polystyrene (EPS) foam core that is laminated between two sheets of orientated strand board (OSB). These panels are typically used for wall and roof applications due to their high energy-efficiency and superior structural properties.

SIPs can be produced in large panels up to twice the size of standard panels. These larger panels reduce installation time and require fewer connectors. By reducing the number of connectors and using a MAX+ core, SIPs can greatly reduce thermal bridging, air infiltration and energy flow through the walls and roof.

KEY BENEFITS

Stable – R-Value: Provides a stable R-value that does not deteriorate over time.

Compressive Strength: Available in 10 and 16 psi.

Moisture Resistance: Closed cell polystyrene insulation proven to resist moisture gain.

Drying Potential: Designed to quickly release moisture and maintain its R-value.

Low Environmental Impact: Does not use or contain ozone-depleting blowing agents such as HFCs.



SuperForm™ SuperPex Panel

The SuperPex Panel is a hydronic floor panel made of high-density expanded polystyrene for insulating residential and commercial buildings. The SuperPex Panel has unique mushroom-shaped pucks that lock the PEX tubing firmly in place. To maximize performance and ensure a premium installation experience, our puck is engineered with precision to the perfect height, width, and shape.

The 4'x4' panel is designed to maximize the square footage able to be placed at once while maintaining an easy, user-friendly experience, with our unique interlocking shiplap to lock the panels together. Hydronic tubing is then easily inserted into the panels by walking on the tubing and locking the tubing in between the pucks. Concrete is poured on top of the panel to the required thickness, encasing the tubing, pucks, and any reinforcement in place.

KEY BENEFITS

Quick to Install: Distinct locking design eliminates the need to tie or staple PEX tubing to wire mesh. It also features a unique tongue and groove locking system

Consistent Heat Distribution: Consistent channel pattern ensures even heat distribution.

Moisture Management: Designed to resist and quickly release moisture to help maintain its R-value over time.

Lightweight and Durable: Lightweight and built to provide long term performance and durability.

Reduce and Recycle: Size helps reduce waste on site and scraps can be recycled.

Interlock System: Has a unique tongue and groove to lock panels together.

Panel Size: 4'x4' **Puck Height:** 1" (not included in panel thickness)

Panel Thickness and EPS+ Average R-Values

2": R10 | 2.5": R12 | 3": R14 | 3.5": R16 | 4": R18





SuperForm™ EPS+ 10 EIFS+

SuperForm EIFS+ is an expanded polystyrene insulation board designed to optimize the performance of exterior insulation finish systems (EIFS). It is ideal for both residential and commercial projects as it is lightweight, energy-efficient, and delivers endless design options. EIFS+ provides a breathable thermal layer that is easily affixed to the substrate with an adhesive or mechanical fastener. Its closed, air-filled cell structure is designed to resist and quickly release moisture. This helps ensure that your EIFS retains its R-value over time.

KEY BENEFITS

Low Cost per R-value: Provides a low cost per R-value insulation layer that does not deteriorate.

Design Flexibility & Aesthetics: Delivers endless design options that can be easily modified at the jobsite.

Moisture Management: Designed to resist and quickly release moisture to help maintain its R-value over time.

Surface Bonding: Offers exceptional surface bonding for base coats.

Lightweight and Durable: Lightweight and built to provide long term performance and durability.

Low Environmental Impact: Does not use or contain ozone-depleting blowing agents such as HFCs and is recyclable.





SuperForm™ EPS+ Frost Impact

SuperForm Frost Impact Board is manufactured from expanded polystyrene (EPS) resin using a pentane blowing agent. The result is a high grade closed, air-filled cell structure that does not contain HFCs with a very low impact on the environment. It is designed for concrete grade beams to compensate for frost and moisture swelling of underlying soils that may otherwise lift or fracture concrete foundations. Its stable R-value coupled with its low moisture absorption properties while quickly releasing moisture makes Frost Impact Board ideal for below concrete.

KEY BENEFITS

Installation: Is super easy to install for grade beam void form.

Stable R-Value: Provides a stable R-value that does not deteriorate over time.

Moisture Resistance: Closed cell polystyrene insulation that is proven to resist moisture gain.

Vapor Permeable: Allows moisture vapor to effectively move through its structure.

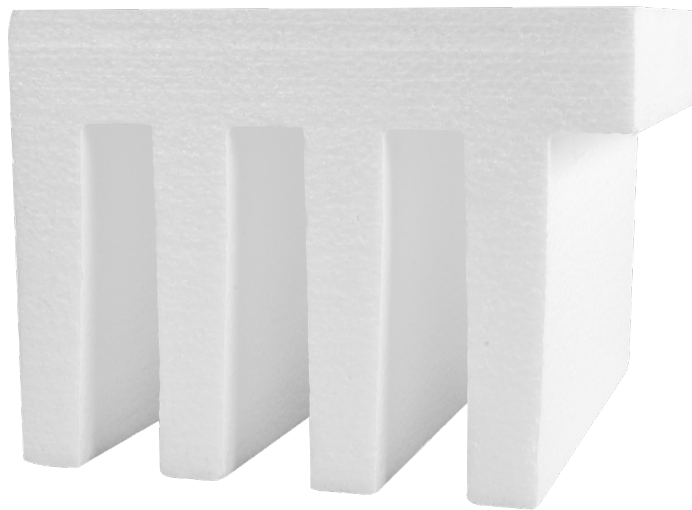
Drying Potential: Designed to quickly release moisture and maintain its R-value over time.

Low Environmental Impact: Does not use or contain ozone-depleting blowing agents such as HFCs.

Engineered: Tested to perform when ground swell or frost heave is present.

Standard Sizes Available

4"	6"
8" x 8'	8" x 8'
10" x 8'	10" x 8'
12" x 8'	12" x 8'
48" x 8'	48" x 8'





SuperForm™ EPS+ SuperVoid

SuperVoid is engineered to support wet concrete during construction phase and then protects the slab from ground movement by creating a space between the slab and soil. Over time it will collapse from underlying soil forces protecting the slab. Once the structural slab is self supporting, the SuperVoid is able to collapse from the pressure of moving underlying soils. The legs are engineered with specific breaking points and the correct angle to fold together at the right place, creating consistent performance in every form. SuperVoid is tested to perform; once the form is preloaded with the weight of the slab, it collapses at acceptable uplift pressures from underlying soils. As an added benefit, it also provides all the benefits of EPS insulation - protecting the slab from freezing temperatures.

KEY BENEFITS

- Installation:** Is super easy to install for grade beam void form.
- Stable R-Value:** Provides a stable R-value that does not deteriorate over time.
- Moisture Resistance:** Closed cell polystyrene insulation proven to resist moisture gain.
- Vapor Permeable:** Allows moisture vapor to effectively move through its structure.
- Drying Potential:** Designed to quickly release moisture and maintain its R-value.
- Low Environmental Impact:** Does not use or contain ozone-depleting blowing agents such as HFCs.
- Engineered:** Tested to perform under structural slabs.
- Packaging:** All pieces come interlocked to maximize shipping and storage space.
- User Friendly:** EPS+ is light in weight and very easy to cut and install.

Standard Sizes Available	
4"	6"
4' x 4'	4' x 4'





SuperForm™ EPS+ Custom Cuts

Our EPS+ or MAX+ products can be cut into almost any shape. From decorative designs to shiplap edges, we have got you covered. We cut within 1/16th accuracy giving you almost perfect cuts to match your needs. Our custom cut insulation is moisture resistant and lightweight with a stable R-value, which provides an easy-to-install solution that won't deteriorate over time.

Additional applications are: custom stucco buildouts, shiplap, lightweight packaging, custom signs, sloped roof packages, frost impact board, party numbers or shapes, sip panels, tubes, and pretty much anything else you can think of.

KEY BENEFITS

Custom: Can be cut into virtually any size or shape.

Low Cost per R-value: Provides a low cost per R-value insulation layer that does not deteriorate.

Design Flexibility & Aesthetics: Delivers endless design options that can be easily modified at the jobsite.

Moisture Management: Designed to resist and quickly release moisture to help maintain its R-value over time.

Surface Bonding: Offers exceptional surface bonding for base coats.

Lightweight and Durable: Lightweight and built to provide long term performance and durability.

Low Environmental Impact: Does not use or contain ozone-depleting blowing agents such as HFCs and is recyclable.





SuperForm Insulation provides an inexpensive, energy-efficient flat roof insulation known for its stable R-value, moisture resistance, and high compressive strength. This lightweight, unfaced expanded polystyrene insulation is perfect for built-up, single ply, and modified bitumen roof systems. Architects and builders consistently select EPS+ based on its reputation as a high-quality roofing system insulation.

KEY BENEFITS

Packages: Flat roof and sloped available.

Stable R-Value: Provides a stable R-value that does not deteriorate over time.

Insulation Density: MAX+ available in 10, 16, and 20 psi. EPS+ available in 10, 16, and 20 psi.

Moisture Resistance: Closed cell polystyrene insulation proven to resist moisture gain.



SuperForm™ Billets

SuperForm manufactures EPS+ and MAX+ billets for customers who want to cut their own foam onsite.

SuperForm EPS+ Billet is a high-grade expanded polystyrene (EPS) rigid foam insulation. It provides a dependable insulation product that can be used for almost every type of building insulation application. Its stable R-value and high compressive strength coupled with its ability to resist and quickly release moisture makes EPS+ ideal for perimeter, below grade, and floor insulation.

SuperForm MAX+ is a premium Neopor® graphite polystyrene (GPS) rigid foam insulation. MAX+ features all of the performance attributes of EPS+, complimented by the added benefits of its unique graphite cell structure. MAX+ uses high-purity, graphite particles to create a reflective cell structure. This distinct cell structure reflects radiant heat as it travels through the insulation.

KEY BENEFITS

Cost Savings: Available to customers wanting to do their own cutting.

Stable R-Value: Provides a stable R-value that does not deteriorate over time.

Billet Density: MAX+ available in 10, 16, 20, 25, and 30 psi.

EPS+ available in 10, 16, 20, 25, 30, 40, and 60 psi.

Moisture Resistance: Closed cell polystyrene insulation proven to resist moisture gain.

Vapor Permeable: Allows moisture vapor to effectively move through its structure.

Drying Potential: Designed to quickly release moisture and maintain its R-value.

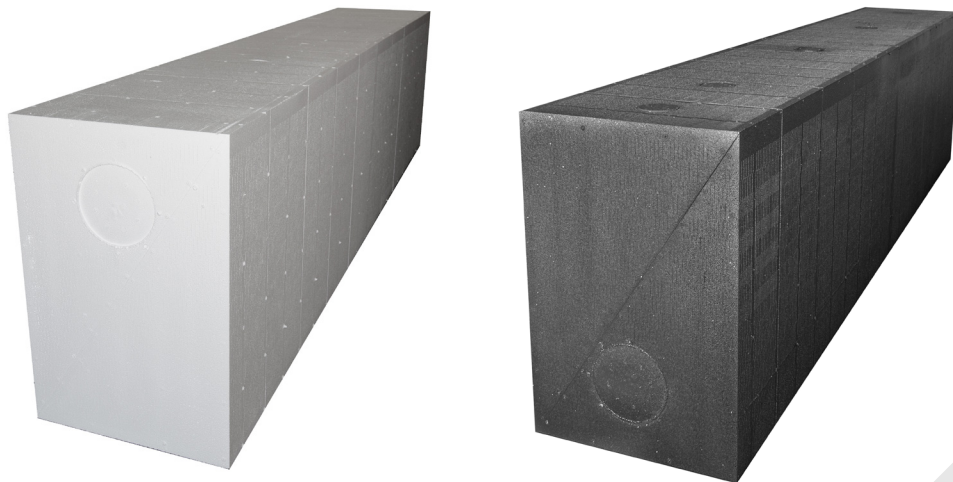
Low Environmental Impact: Does not use or contain ozone-depleting blowing agents such as HFCs.

Pincher Creek, AB:

Billet Size: 33" x 49" x 97"

West Chester, OH

Billet Size: 49" x 49" x 99"



SuperForm Insulation Packaging & Stats

Product Type **EPS+ 10, 16, 20, 25 | Max+ 10, 16, 20, 25**

1" 26 pcs/bag 4 bags high 104 pcs/skid 1352 pcs/trailer	1.5" 17 pcs/bag 4 bags high 68 pcs/skid 884 pcs/trailer	2" 13 pcs/bag 4 bags high 52 pcs/skid 676 pcs/trailer	2.5" 10 pcs/bag 4 bags high 40 pcs/skid 520 pcs/trailer
2.75" 9 pcs/bag 4 bags high 36 pcs/skid 468 pcs/trailer	3" 8 pcs/bag 4 bags high 32 pcs/skid 416 pcs/trailer	3.5" 7 pcs/bag 4 bags high 28 pcs/skid 364 pcs/trailer	4" 6 pcs/bag 4 bags high 24 pcs/skid 312 pcs/trailer
5" 5 pcs/bag 4 bags high 20 pcs/skid 260 pcs/trailer	5.5" 4 pcs/bag 4 bags high 16 pcs/skid 206 pcs/trailer	6" 4 pcs/bag 4 bags high 16 pcs/skid 208 pcs/trailer	7" 3 pcs/bag 4 bags high 12 pcs/skid 156 pcs/trailer

All product sizes divisible by 26" bag height/calculation based on 13 skids of 4x8 sheets per 53' van trailer

Product Type **EPS+ 30, 40, 60 | Max+ 30**

1" 20 pcs/bag 5 bags high 100 pcs/skid 1300 pcs/trailer	1.5" 12 pcs/bag 5 bags high 60 pcs/skid 780 pcs/trailer	2" 10 pcs/bag 5 bags high 50 pcs/skid 650 pcs/trailer	2.5" 7 pcs/bag 5 bags high 35 pcs/skid 455 pcs/trailer
2.75" 7 pcs/bag 5 bags high 35 pcs/skid 455 pcs/trailer	3" 7 pcs/bag 5 bags high 35 pcs/skid 455 pcs/trailer	3.5" 5 pcs/bag 5 bags high 25 pcs/skid 325 pcs/trailer	4" 5 pcs/bag 5 bags high 25 pcs/skid 325 pcs/trailer
5" 4 pcs/bag 5 bags high 20 pcs/skid 260 pcs/trailer	5.5" 3 pcs/bag 5 bags high 15 pcs/skid 195 pcs/trailer	6" 3 pcs/bag 5 bags high 15 pcs/skid 195 pcs/trailer	7" 3 pcs/bag 5 bags high 15 pcs/skid 195 pcs/trailer

All product sizes divisible by 20" bag height/calculation based on 13 skids of 4x8 sheets per 53' van trailer

	Pincher Creek, AB Production Billet Size: 33"x49"x97"	West Chester, OH Production Billet Size: 49"x49"x99"
EPS+ 10 2"x4'x8': 5.31 lbs	EPS+ 10 Billet: 90 lbs	EPS+ 10 Billet: 126lbs
EPS+ 16 2"x4'x8': 7.49 lbs	EPS+ 16 Billet: 128 lbs	EPS+ 16 Billet: 210lbs
EPS+ 20 2"x4'x8': 9.86 lbs	EPS+ 20 Billet: 169 lbs	EPS+ 20 Billet: 252lbs
EPS+ 25 2"x4'x8': 9.86 lbs	EPS+ 25 Billet: 169 lbs	EPS+ 25 Billet: 252lbs
EPS+ 30 2"x4'x8': 10.94 lbs	EPS+ 30 Billet: 187 lbs	EPS+ 30 Billet: 280lbs
EPS+ 40 2"x4'x8': 13.06 lbs	EPS+ 40 Billet: 223 lbs	EPS+ 40 Billet: 336lbs
EPS+ 60 2"x4'x8': 16.26 lbs	EPS+ 60 Billet: 319 lbs	EPS+ 60 Billet: 420lbs

	Pincher Creek, AB Production Billet Size: 33"x49"x97"	West Chester, OH Production Billet Size: 49"x49"x99"
MAX+10 2"x4'x8': 5.32 lbs	MAX+ 10 Billet: 90 lbs	MAX+ 10 Billet: 126lbs
MAX+16 2"x4'x8': 7.49 lbs	MAX+ 16 Billet: 128 lbs	MAX+ 16 Billet: 210lbs
MAX+20 2"x4'x8': 9.86 lbs	MAX+ 20 Billet: 169 lbs	MAX+ 20 Billet: 252lbs
MAX+25 2"x4'x8': 9.86 lbs	MAX+ 25 Billet: 169 lbs	MAX+ 25 Billet: 252lbs
MAX+30 2"x4'x8': 10.94 lbs	MAX+ 30 Billet: 187 lbs	MAX+ 30 Billet: 280lbs

Product Type SuperPex Panel

2"	2.5"	3"	3.5"	4"
9 pcs/bag	7 pcs/bag	6 pcs/bag	6 pcs/bag	5 pcs/bag
4 bags high	4 bags high	4 bags high	4 bags high	4 bags high
36 pcs/bag	28 pcs/bag	24 pcs/bag	24 pcs/bag	20 pcs/bag
882 pcs/trailer	686 pcs/trailer	588 pcs/trailer	588 pcs/trailer	520 pcs/trailer

All product sizes divisible by 26" bag height/calculation based on 26 skids of 4x4 sheets per 53' van trailer

2"x4'x4' SuperPex Panel EPS+ 16: 4.3 lbs EPS+ 25: 5.2 lbs EPS+ 30: 5.8 lbs EPS+ 40: 7 lbs	2.5"x4'x4' SuperPex Panel EPS+ 16: 4.9 lbs EPS+ 25: 4.92 lbs EPS+ 30: 6.6 lbs EPS+ 40: 7.9 lbs	3"x4'x4' SuperPex Panel EPS+ 16: 5.5 lbs EPS+ 25: 6.57 lbs EPS+ 30: 7.3 lbs EPS+ 40: 8.8 lbs
3.5"x4'x4' SuperPex Panel EPS+ 16: 6 lbs EPS+ 25: 7.2 lbs EPS+ 30: 8 lbs EPS+ 40: 9.6 lbs	4"x4'x4' SuperPex Panel EPS+ 16: 6.6 lbs EPS+ 25: 7.9 lbs EPS+ 30: 8.8 lbs EPS+ 40: 10.5 lbs	

Product Type**SuperVoid****4"**

4' x 4'
 10 pcs/bag
 4 bags high
 40 pcs/skid
 1040 pcs/trailer

6"

4' x 4'
 6 pcs/bag
 4 bags high
 24 pcs/skid
 624 pcs/trailer

All product sizes divisible by 27" bag height/calculation based on 26 skids of 4x4 sheets per 53' van trailer

4" SuperVoid 4'x4' - 2.79 lb**6" SuperVoid 4'x4' - 4.04 lb****Product Type****Frost Impact Board****4"**

4' x 8'
 10 pcs/bag
 4 bags high
 40 pcs/skid
 520 pcs/trailer

12" x 8'
 40 pcs/bag
 4 bags high
 160 pcs/skid
 2080 pcs/trailer

10" x 8'
 40 pcs/bag
 4 bags high
 160 pcs/skid
 2080 pcs/trailer

8" x 8'
 60 pcs/bag
 4 bags high
 240 pcs/skid
 3120 pcs/trailer

6"

4' x 8'
 6 pcs/bag
 4 bags high
 24 pcs/skid
 312 pcs/trailer

12" x 8'
 24 pcs/bag
 4 bags high
 96 pcs/skid
 1248 pcs/trailer

10" x 8'
 24 pcs/bag
 4 bags high
 96 pcs/skid
 1248 pcs/trailer

8" x 8'
 36 pcs/bag
 4 bags high
 144 pcs/skid
 1872 pcs/trailer

All product sizes divisible by 27" bag height/calculation based on 13 skids of 4x8 sheets per 53' van trailer

4"x4'x8' Frost Impact - 5.44 lb**6"x4'x8' Frost Impact - 8.32 lb****Product Type****EIFS+****1"**

18 pcs/bag
 5 bags high
 180 pcs/skid
 4680 pcs/trailer

1.5"

12 pcs/bag
 5 bags high
 120 pcs/skid
 3120 pcs/trailer

2"

9 pcs/bag
 5 bags high
 90 pcs/skid
 2340 pcs/trailer

3"

6 pcs/bag
 5 bags high
 60 pcs/skid
 1560 pcs/trailer

All product sizes divisible by a 20" bag height/calculation based on 26 skids of 2 stacks/skid of a 2'x4' pieces per 53' van trailer

1"x2'x4' EIFS+ Board - 0.6 lbs**1.5"x2'x4' EIFS+ Board - 0.9 lbs****2"x2'x4' EIFS+ Board - 1.2 lbs****3"x2'x4' EIFS+ Board - 1.8 lbs**

Accessories

Scan or hit the QR code to visit the Accessories Product Page



ICF Bracing

Hilltop Bracing

Hilltop Manufacturing is a leader in lightweight ICF bracing. The utilization of aluminum results in a strong product that is extremely light in weight. This easy user-friendly system comes with a stackable storage crate for sets of 40 and includes welded lifting hooks for easy maneuverability on the jobsite. In addition, diagonal extensions are available and Hilltop Bracing also comes in custom colours and several length options.

Bracing System		
ITEM CODE	LENGTHS AVAILABLE	WEIGHT
BRACE-10	8'	45 lbs
BRACE-11	9'	48 lbs
BRACE-12	10'	52 lbs
BRACE-13	12'	55 lbs
BRACE-20	10' Transport Crate (40 braces per crate)	300 lbs (crate only) 2380 lbs (with bracing)
BRACE-21	12' Transport Crate (40 braces per crate)	350 lbs (crate only) 2550 lbs (with bracing)
BRACE-31	Hilltop 8' Extensions	
BRACE-32	Hilltop 12' Extensions	



Available in custom colours.

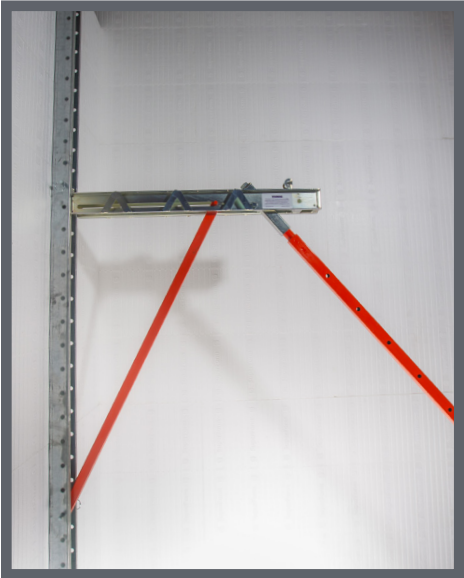


ICF Bracing

Plumwall Bracing

Plumwall Insulated Concrete Form Bracing is a leading innovator in the field of easy-to-use ICF bracing systems. Plumwall ICF braces are engineered with exclusive one-man alignment control at platform level and are built for insulated concrete forms up to 24 feet high. Setup faster with the Plumwall's one step measure and adjust ability. Available transportation and stackable storage crates hold 24 Plumwall ICF braces and comes in a selection of standard or custom colours. A three-piece bracing system is also available from Plumwall Bracing.

All-in-One Brace		
ITEM CODE	LENGTHS AVAILABLE	WEIGHT
BRACE-35	8'	48 lb
BRACE-38	9'	51 lb
BRACE-36	10'	54 lb
BRACE-37	12'	61 lb
BRACE-40	10' Transport Crate (24 braces per crate)	325 lb
BRACE-41	12' Transport Crate (24 braces per crate)	400 lb



ICF Bracing

Burmon Buck Brace

The patent pending, Burmon Buck Brace is engineered to brace the horizontal pressures of the concrete during the pour in the window and door bucks. The Burmon Buck Brace eliminates all horizontal wood bracing; saving on lumber and labor costs by reusing these braces for years to come. This brace adjusts to fit our 4", 6", 6.5", and 8" Superform ICF Blocks.

- Sold per box (50/box)
- ACC-32



Waterproofing

Soprema

Soprema is a high-quality, self-adhesive, rubberized peel and stick sheet designed for damp-proofing SuperForm ICF construction. Benefits include high tensile strength and puncture resistance, greater flexibility and consistent thickness, ensuring the high-end waterproofing required to give you peace of mind that your below-grade builds won't leak.

Wall Coverage – 206.25 sq. ft. of usable wall coverage in 225 sq. ft. roll.

AVAILABLE IN

ITEM CODE	WIDTH	LENGTH	WEIGHT
DAMP-15	3'	75' per roll	46.2 lbs/roll

- Sold per roll or per pallet (30 per pallet)



Scan to watch the ICF Peel & Stick Membrane Installation Video

Waterproofing

Elastocol Stick H2O

Polymer emulsion-based primer designed to improve the adhesion of self-adhesive waterproofing membranes on most substrates. It is an excellent choice when the use of solvent-based primer is not recommended.

Benefits

- Cold application
- Single component (ready to use)
- Bucket must not freeze
- Coverage: 650 sq. ft. - 2000 sq. ft. per bucket depending on permeability of substrate and the amount applied.
- Sold per 5 gallon (19 L) bucket
- DAMP-35



Scan to watch the ICF
Peel & Stick Membrane
Installation Video

Sopraseal Sealant

High-performance, moisture cure, solvent and isocyanate free polyether sealant (STPE) with low VOC content. With its adhesive properties, Sopraseal Sealant is designed to attach peel and stick to top of wall and around opening.

Benefits

- Excellent adhesion to most construction materials including SOPRASEAL self-adhesive membranes
- Solvent and isocyanate free
- Very quick curing time
- Coverage – 150 LF per tube
- Sold individually or per box of 24
- DAMP-36



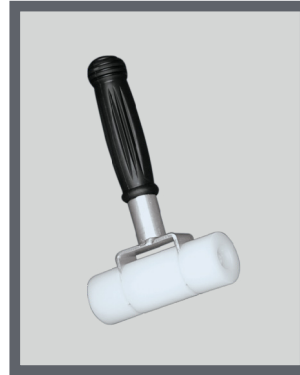
Waterproofing

Neophrene Roller

When installing Soprema, rolling it with a Neophrene Roller provides up to 400 times more adhesion and makes the job easier to complete.

Note: In order to be covered under warranty, a Neophrene Roller must be used when installing Soprema.

- Sold individually
- 5": DAMP-30
- 12": DAMP-31



5"



12"

Tarps

Our 1-piece plastic tarp is available in material designed to (1) cover the entire perimeter wall when nailed to the ties along the top and, (2) protect from UV exposure.

AVAILABLE IN

ITEM CODE	WIDTH	LENGTH
DAMP-10	6'	180'
DAMP-11	8'	180'
DAMP-12	10'	180'
DAMP-13	12'	180'

- Sold individually



Waterproofing

SUPERSEAL Dimpled Foundation Membrane

SUPERSEAL Dimpled Membrane is made from tough, long lasting plastic that keeps exterior moisture out. It prevents backfill material from touching the foundation wall and bridges typical wall cracks with ease and can be backfilled right away. The dimples in the membrane create a drainage space that allows the wall to breathe. This space allows moisture to condensate outward on to the membrane. By gravity, the moisture then falls to the footing drain for removal.

Wall Coverage – 518 sq. ft. (7'11") or 583 sq. ft. (8' 11")



	ITEM CODE	WIDTH	LENGTH	
AVAILABLE IN	DAMP-20	7'11"	65.5' per roll	- Sold per roll
	DAMP-21	8'11"	65.5' per roll	

Membrane Cap

The Membrane Cap is a piece of plastic that seals all open edges. It is L shaped and smooth on the back. It can be installed horizontally, vertically, and on any angle. You can use the Membrane Cap throughout the entire job.

- DAMP-40

SuperPlug

Each plug has 5 dimples that interlock into the membrane providing superior holding strength over a single plug. Recommended for all areas.

- 50 per bag
- Sold per bag
- DAMP-41



Standard Fastening System Accessories

- 1 roll of membrane requires approximately:
- 2 bundles of Membrane Caps
- 3 bags of SuperPlugs for 7'11" per roll or 4 bags of SuperPlugs for 8'11" per roll

Waterproofing

Hulk Systems Waterproofing

Hulk WP®

A cold-applied, single component, fire-resistant elastomeric membrane used for waterproofing. Unlike many other waterproofing products, the coating is sun-safe and maintains peak performance in extreme temperatures. Almost zero splash-back and waste occurs during applications. Hulk WP® is formulated to provide ultimate hang strength when curing to 40 mils. Hulk WP® withstands UV, acid rain, salts, acidic soil, bacteria and is non-corrosive on foam.

ITEM CODE	AMOUNTS AVAILABLE
DAMP-51	Hulk Waterproofing WP Builders Grade - 5 Gallon (Non-Stock Item) Special Order
DAMP-52	Hulk Waterproofing WP Builders Grade - 55 Gallon
DAMP-55	Hulk Waterproofing WP (FR) - 5 Gallon
DAMP-56	Hulk Waterproofing WP (FR) - 55 Gallon
DAMP-60	Hulk Max 106 FR-2 Part 110 Gallon Kit

Available in 4 colors: Grey, white, black, or green

5 Gallon Coverage

- 27 square feet/US gallon or 135 square feet per pail
- 378 square feet per roll of fabric

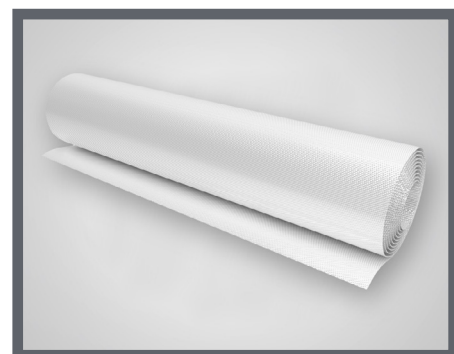
55 Gallon Coverage

- 27 square feet/US gallon or 1485 square feet per 55 gallon drum
- 378 square feet per roll of fabric

Hulk SRT®

A structurally reinforcing textile, made of quartz resin infused fiberglass, which has higher tensile strength/volumetric mass than steel. When immersed in Hulk WP®, the combination forms a seamless cast of protection over your foundation wall(s). Hulk SRT® remains dimensionally stable even when experiencing high temperature and humidity fluctuations.

- 60 lbs per roll (27.22KG)
- Length: 108' per roll
- Width: 50"
- Wall Coverage: 450 sq. ft. per roll (41.81 sq. meters)
- Sold per roll



ICF Hangers

Simpson Tie ICFVL Ledger System

The ICFVL ledger connector system is engineered to solve the challenges of mounting wood or steel ledgers to insulated concrete form (ICF) walls. The ICFVL is designed to provide both vertical and lateral in-plane performance. The system offers many benefits over traditional anchor bolting, including better on-center spacing in most cases, faster installation and no protrusions.

ICFVL (6)

The embedded legs of the ICFVL (6) are embossed for additional stiffness and the hole enables concrete to flow through and around the connector. The exposed flange on the face of the ICF provides a structural surface for mounting either a wood or steel ledger.

ACC-20	10 per box
--------	------------

- Sold per box



ICFVL – Composite Wood/Wood

The CW/W (J Hook) Ledger attachment slips over the appropriate ledger connector under the ledger. 8 screws are installed through the CW/W into the ICFVL Plate holding up to 1940 lbs per hanger.

CW ACC-22	1.75"	15 per box
W ACC-21	1.5"	15 per box

- Sold per box



Scan or hit the QR Code to watch the Floor Hanger System Part 1 Video

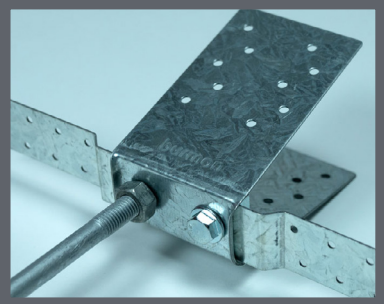


Scan or hit the QR Code to watch the Floor Hanger System Part 2 Video

ICF Hangers

Burmon Hurricane Anchor - BHBCONICF ICF Concrete Connection to Truss/Rafter

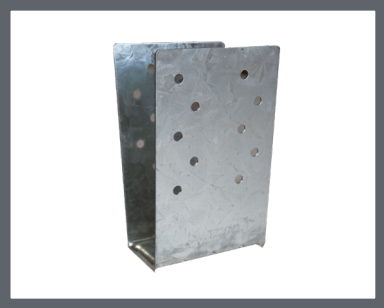
The ICF Hurricane Anchor has been specially designed for North America's conditions and modern ICF concrete building techniques to deliver safer, more efficient and higher load rafter/truss anchor connections that deliver significant cost savings over the total house build. The connector is installed before concrete sets and the truss is then placed inside the bracket and fixed using Burmon roofing screws. This finishes the tie-down of the trusses, eliminating the hassle of going back later to nail off connectors. This feature connected directly to the concrete provides one of the strongest roof tie-down connections available.



ACC-30 - Concrete Connection (hurricane anchor connected cast into concrete)	25 per box	- Sold per box
---	------------	----------------

Burmon Hurricane Anchor - BHBSMudsill Connection

The revolutionary Burmon design enables the anchor to be securely fixed directly to the top plate. Using a cordless impact driver, simply attach the bracket to the top plate using Burmon panhead screws. The truss is then placed inside the bracket and fixed using Burmon roofing screws. This finishes the tie down of the trusses eliminating the hassle of going back later to nail off connectors. The Hurricane Anchor is faster and easier to install than ordinary conventional connectors whilst delivering a stronger tie down over the whole roof.



ACC-31 - Mudsill connection (hurricane anchor connect to mud sill plate)	50 per box	- Sold per box
---	------------	----------------

Burmon ICF Wood Ledger Connector - ICFWL

Burmon's ICF Wood Ledgers utilize the Burmon ICF Connector System, a revolutionary double threaded cylinder bolt assembly that connects and anchors wood ledger brackets, wood ledgers, joist hangers, I-joists, beams and trusses to insulated concrete forms (ICF) walls. This is a fast, easy to install, and extremely strong way to attach a ledger, saving you time and money.



ACC-36 - Wood Ledger	10 per box	- Sold per box
----------------------	------------	----------------

Spray Foam

Foam

The Low Expansion Foam is compatible with SuperForm's Expanded Polystyrene (EPS) foam and can be used for a number of different tasks on site including foaming the forms to each other between vertical joints, securing service penetrations, and as insulation around openings.

- 12 bottles per box
- Sold per box
- ACC-40



Cleaner

The Foam Gun Cleaner is used to clean the internal chamber of the foam gun from any hardened foam. Also used on the external surfaces for cleaning the guns.

- 12 per box
- Sold individually or per box
- ACC-42



Gun

The metal handle Foam Gun is compatible with the SuperForm's Low Expansion Foam 24oz (680g) cans. The SuperForm's Low Expansion Foam can be used for a number of different tasks on site.

- Sold individually
- ACC-41



Fiberglass Rebar



Scan to visit
the MST-BAR
Product Page

MST-BAR

MST-BAR is a glass fiber reinforced polymer (GFRP) rebar and is an excellent alternative for concrete reinforcement compared to traditional steel rebar. It is the only GFRP Rebar that bonds to concrete better than steel. Steel Rebar oxidizes in concrete which creates rust cancers and causes the rebar to expand, which results in the cover concrete to spall, leading to failure. MST-BAR can eliminate all failures due to corrosion and save on the current costs of fixing corrosion issues. MST-BAR is also the only GFRP Rebar that is an Integrally Ribbed Maximum Strength Rebar, which locks the rebar into the concrete causing less cracks and avoiding up to 50% of traditional bent bar applications by using straight lengths of MST-BAR. In addition, the manufacturing process of MST-BAR produces far less carbon emissions than the steel industry, which aligns with SuperForm's sustainable and energy-efficient manufacturing processes of our insulated building products.

Benefits

- Light-weight (up to 4x lighter than traditional steel rebar)
- Superior Tensile Strength (3x the amount of steel) and Fatigue Resistance (20x the amount of steel)
- Corrosion Resistance
- Thermal and electrical isolated
- No maintenance or repairs required

Application

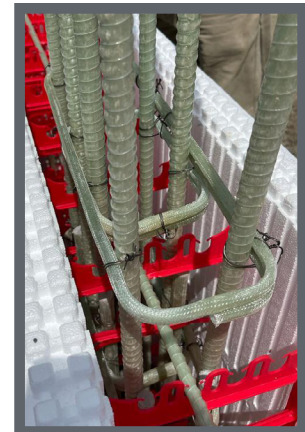
- ICF Walls: 1 to 1 ratio steel to MST BAR
- Flatwork: Downsize 1 size from steel for MST BAR size (except for 10 mm)

Corners Available

- #3 4EQ (10M) MST-bar Grade III - Corner (50/bundle) 2'x2'
- #4 (13M) MST-bar Grade III - Corner (25/bundle) 2'x2'
- #5 (15M) MST-bar Grade III - Corner (20/bundle) 2'x2'

From Left to Right:

- #5 (15mm) Grade 3;
- #3 (10mm) Grade 3;
- #3 (10mm) Grade 1



20' LENGTHS*

ITEM CODE	Bar #	LBS. / 20' LENGTH	# of BARS / LIFT	LBS. / LIFT
MST-9	#3 Grade I 3 MAX (10mm)	2.1	500	1050
MST-10	#3 Grade II 4 MAX (10mm)	2.68	500	1340
MST-11	#3 Grade III 4EQ (10mm)	2.68	500	1340
MST-13	#4 Grade III (13mm)	4.42	250	1105
MST-15	#5 Grade III (15mm)	7	200	1400
MST-17	#6 Grade III (20mm)	10.21	150	1531
MST-19	#8 Grade III (25mm)	18	75	1350

* Custom lengths and bends are an option. Contact for more info. - Sold per lift

Ties, Screws, Tape

Super Slick

Want an easier way to unload SuperForm ICF from your trailer? Try our in-house, Super Slick! Made from our EPS foam beads, all you need to do is sprinkle onto the floor of your trailer to make unloading a breeze.

Caution: This is very slick. Use extreme caution when using. SuperForm Products Ltd. is not liable for any injury upon usage.

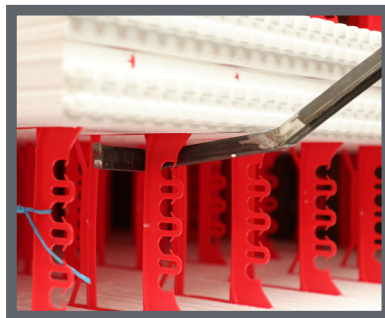
- Sold Individually
- ACC-101



ICF Easy Puller

Our ergonomic friendly ICF Easy Puller is designed to pull any type of block, including corners and T's, from the back of the trailer without needing to bend over. The angles are foldable for compact storage and are perfectly designed not to damage the ICF unlike other pullers that dig into the foam.

- ACC-100



4" SuperForm Tape

The 4" SuperForm Tape is used to cover the interlock system on the top of a wall to prevent concrete from flowing into the interlocking locking knobs during the concrete pour. The dimensions are 4" wide X 215' long.

- 30 rolls per box
- Sold individually or per box
- ACC-10



Ties, Screws, Tape

4" Top Loader Tape Dispenser

SuperForm now offers an easier way to apply our SuperForm tape! This tape dispenser allows for smooth tape application and has sturdy side plates to protect the tape.

- Sold individually
- ACC-11



Wire Ties

SuperForm wire ties are bent ties used to hook one row of block to the one above it. You can use these at each corner or to secure the top row to the one below it to hold it tight.

ACC-61	6"	100 per box
ACC -61	8"	100 per box

- Sold per box
- Same wire clip for 6" & 8"

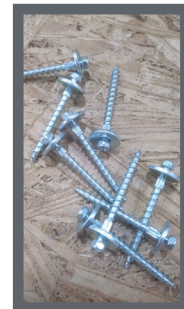


ICF Screws

ICF screws by ClearCo Fasteners are the perfect option for attaching to SuperForm. The screw features a loose washer design and each screw is hardened and galvanized. They are coarse thread which provides maximum attachment to SuperForm's plastic webs.

ACC-50	2"	500 per box
ACC-52	3"	400 per box

- Sold per box



2"



3"

Ties, Screws, Tape

Fiber Tape

Fiber Tape is used to provide additional EPS support for field cut forms that have more than 4" (100mm) of EPS extending past the last web, brick ledge forms in corner conditions, and radius panel.

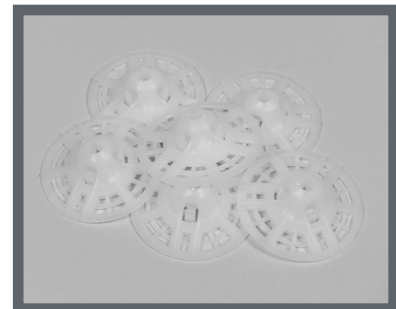
- 9 rolls per sleeve
- Sold per sleeve
- ACC-15



Devil Washers

Is an engineered fastener system used with deck screws to fasten EIFS to various wall surfaces.

- 250 per box
- Sold per box
- ACC-65



Any questions on any products, contact your local dealer or SuperForm head office.



Scan or hit the QR codes to watch the SuperForm ICF Installation Videos.

ICF Installation Videos



Rules, Tools & Materials



Continuing Courses



Additional Support



Jobsite Preparation



Bracing & Scaffolding



Concrete Pour



Footings



Windows & Door Openings



Floor Hanger System Part 1



First & Second Row



Top Row ICF



Floor Hanger System Part 2



Reinforcing Bar



Floor Connections & Wall Penetrations



How to Reduce Waste on Your Project



Scan to download the SuperForm Install Manual



Interested in stacking SuperForm or becoming an Authorized Dealer?

Reach out to SuperForm today.

T 877.627.3555

E info@superformicf.com

superformicf.com





T 877.627.3555

F 403.627.3553

E info@superformicf.com

superformicf.com

Follow Us On

